

Figure 1

#### LPR2430 Hardware

The major hardware component of the LPR2430 is the CC2430 IEEE 802.15.4 compatible transceiver with integrated 8051 microcontroller. The LPR2430 operates in the frequency band of 2405 to 2475 MHz at a nominal output power of 1 mW.

Two crystals are provided to operate the CC2430, a 32 MHz crystal for normal operation and a 32.768 kHz crystal for precision sleep mode operation.

The LPR2430 provides a variety of application hardware interfaces including a UART interface, three 11-bit ADC inputs, two PWM (DAC) outputs, and six general purpose digital I/O ports.

#### LPR2430 Firmware

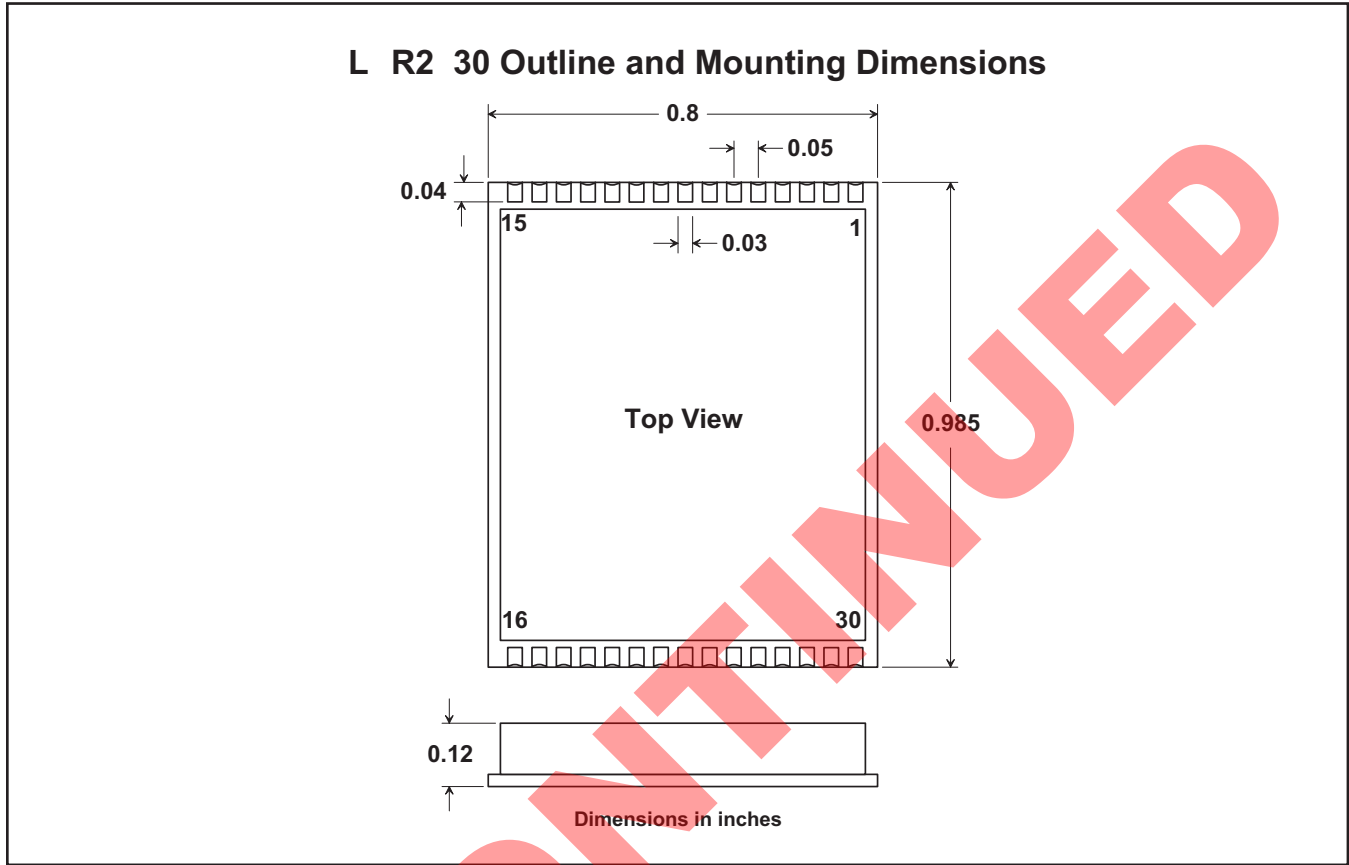
The main firmware components in the LPR2430 include the 802.15.4 Media Access Control (MAC) layer and the CNL V2.0 Networking Layer. CNL V2.0 supports up to 63 remotes. Network topologies include point-to-point, point-to-multipoint and peer-to-peer. CNL employs one-hop relay forwarding to mitigate network transmission problems such as multipath fading. CNL includes provisions for low-power sleep mode operation with periodic wakeup and report. The CNL Application Programming Interface (API) provides an easy-to-use, flexible set of application commands and functions. The API includes support for send/receive serial data, read/write GPIO, read ADC inputs, write PWM outputs and module configuration services. In addition, CNL supports analog and digital I/O binding, which maps an ADC measurement and the states of two digital inputs on one LPR2430 to a PWM output and two digital outputs on another LPR2430. See the *LPR2430 Series Integration Guide* for complete details of the CNL API.

## LPR2430 I/O Pad Descriptions

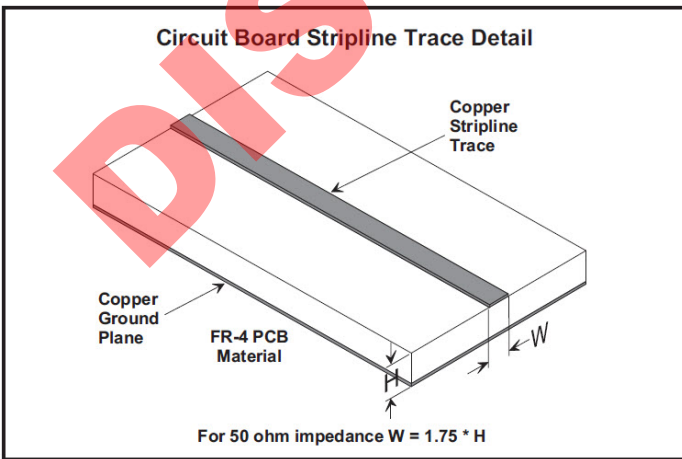
Pin	Name	I/O	Description
1	GND	-	Power supply and signal ground. Connect to the host circuit board ground.
2	ACTIVITY	O	RF activity indicator. Output pulses high when a packet is sent or received.
3	LINK	O	Link indicator. Output is high when the radio has successfully joined a network.
4	GPIO0 (ADC_REF)	I/O	Configurable digital I/O port 0. When configured as an output, the power-on state is also configurable. This pin can also be configured as a reference voltage input for the ADCs, 0 to 3.3 V, 1.25 V typical.
5	RADIO_TXD	O	Serial data output (UART) from the radio to the host.
6	RADIO_RXD	I	Serial data input (UART) from the host to the radio.
7	GPIO4 (/HOST_CTS)	I/O	Configurable digital I/O port 4. When configured as an output, the power-on state is also configurable. Also configurable as UART flow control output. The LPR2430 sets this line low to indicate it is ready to accept data from the host on the RADIO_RXD input. When the LPR2430 sets this line high, the host must stop sending data. The default state is GPIO4.
8	GPIO5 (/HOST_RTS)	I/O	Configurable digital I/O port 5. When configured as an output, the power-on state is also configurable. Also configurable as UART flow control input. The host sets this line low to allow data to flow from the RADIO_TXD pin. When the host sets this line high, the LPR2430 will stop sending data to the host. The default state is GPIO5.
9	PWM0	O	Pulse-width modulated output 0 with internal low-pass filter. Provides a DAC function, 0 to 3.3 V.
10	GPIO2 (PWM1)	I/O	Configurable digital I/O port 2. When configured as an output, the power-on state is also configurable. This pin is connected to the input of the low-pass filter driving Pin 13, and is also configurable as a PWM output.
11	GPIO1	I/O	Configurable digital I/O port 1. When configured as an output, the power-on state is also configurable.
12	GPIO3 (RS485_EN)	I/O	Configurable digital I/O port 3. When configured as an output, this high current port can sink up to 20 mA. The power-on output state is also configurable. Can also be configured as active low transmit enable for controlling an RS485 or other half-duplex bus driver.
13	PWM1 (GPIO2)	O	GPIO2 (Pin 10) drives this pin through a low-pass filter. Provides a DAC function when GPIO2 is configured as a PWM output.
14	VCC	I	Power supply input, +3.3 to +5.5 Vdc.
15	GND	-	Power supply and signal grounds. Connect to the host circuit board ground.
16	GND	-	Power supply and signal grounds. Connect to the host circuit board ground.
17	/RESET	I	Active low module hardware reset. Hold this input low when the power supply input is less than 3.3 Vdc. The module firmware boots up and will accept commands about 3 seconds after this input goes high.
18	ADC0	I	11-bit ADC input 0. ADC full scale reading can be referenced to the module's +3.3 V regulated supply, the ADC's internal +2.5 V reference, or ADC_REF (Pin 4).
19	ADC1	I	ADC input 1. Same configuration options as ADC0.
20	RSVD	-	Reserved pin. Leave unconnected.
21	RSVD	-	Reserved pin. Leave unconnected.
22	RSVD	-	Reserved pin. Leave unconnected.
23	RSVD	-	Reserved pin. Leave unconnected.
24	ADC2	I	ADC input 2. Same configuration options as ADC0.
25	ADC_VDD	O	Module's +3.3 V regulated supply, used for ratiometric ADC readings. Current drain should be less than 5 mA.
26	NC	-	No connection.
27	NC	-	No connection.
28	GND	-	RF ground. Connect to the host circuit board ground plane, and to shield when using coaxial cable.
29	RFIO	I/O	RF port. Connect the antenna to this port with a 50 $\Omega$ stripline or semi-rigid coaxial cable.
30	GND	-	RF ground. Connect to the host circuit board ground plane, and to shield when using coaxial cable.

## RFIO Stripline

The RFIO pad on the radio module is connected directly to an antenna on the host circuit board, or to an MMCX or similar RF connector. It is important that this connection be implemented as a 50 ohm stripline. Referring to Figure 3, the width of this stripline depends on the thickness of the circuit board between the stripline and the



groundplane. For FR-4 type circuit board materials (dielectric constant of 4.7), the width of the stripline is equal to 1.75 times the thickness of the circuit board. Note that other circuit board traces should be spaced away from the stripline to prevent signal coupling, as shown in Figure 4. The stripline trace should be kept short to minimize its insertion loss.



Trace Separation from 50 Ohm Microstrip	Length of Trace Run Parallel to Microstrip
100 mil	125 mil
150 mil	200 mil
200 mil	290 mil
250 mil	450 mil
300 mil	650 mil

**Figure 4**

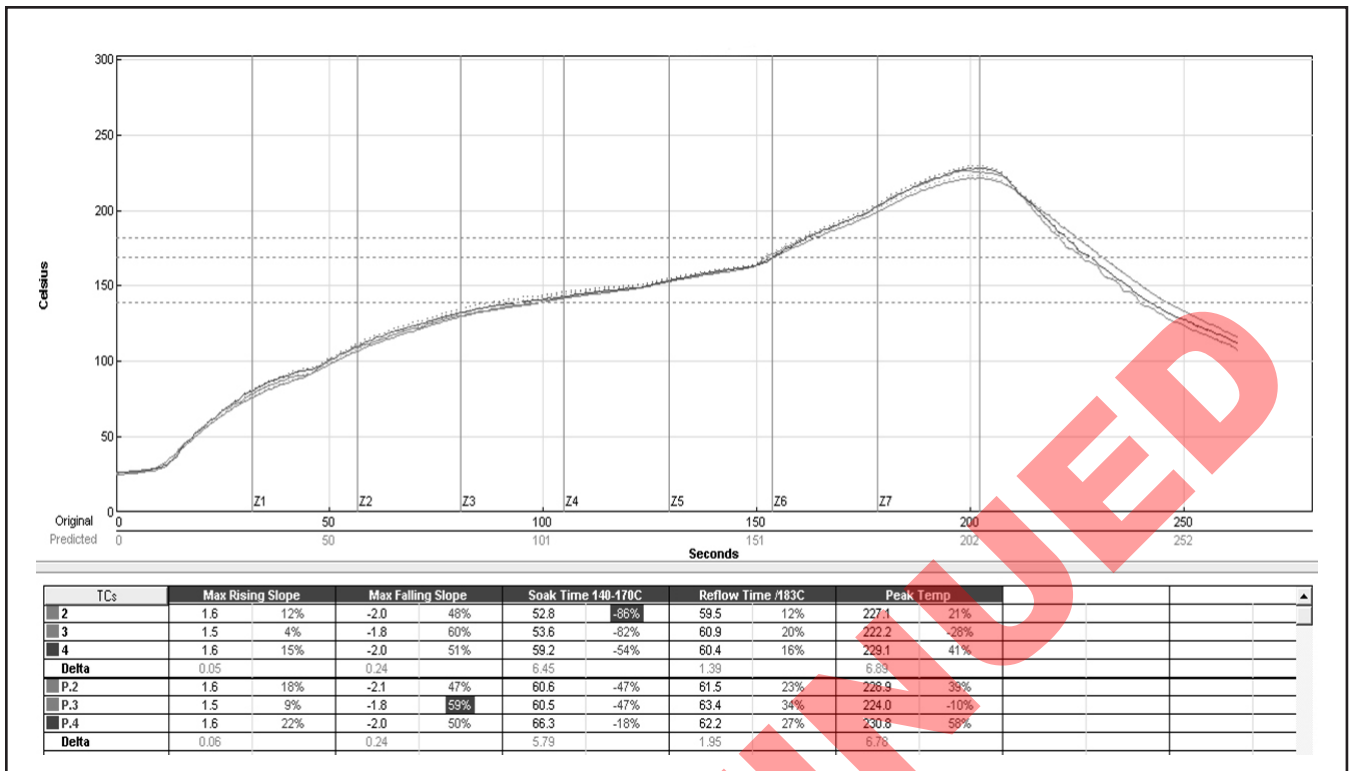


Figure 5

### Reflow Profile

An example solder reflow profile for mounting the radio module on its host circuit board is shown in Figure 5.

Note: Specifications subject to change without notice.

Part # M-2430-0000, Rev A